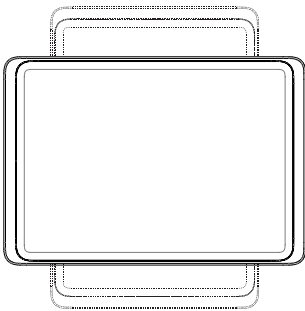


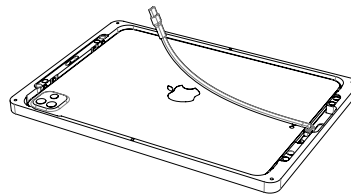


Dame Wall 2.0. is an elegant and beautifully slim iPad wall mount. It is precisely machined from a block of aluminum and refined with an anodized surface. The iPad wall mount is flush with the tablet and comes with a complementary USB charging cable.

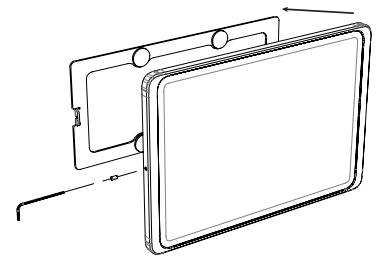
Product characteristics



vertically
or horizontally
mounted on a wall

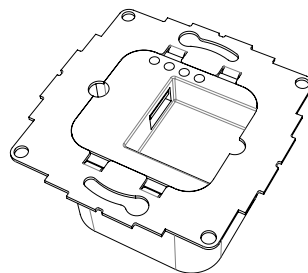


cable hidden
in the mount



magnetic
casing lock
& security screw

Accessories



USB socket
or PoE adapter



black anodized

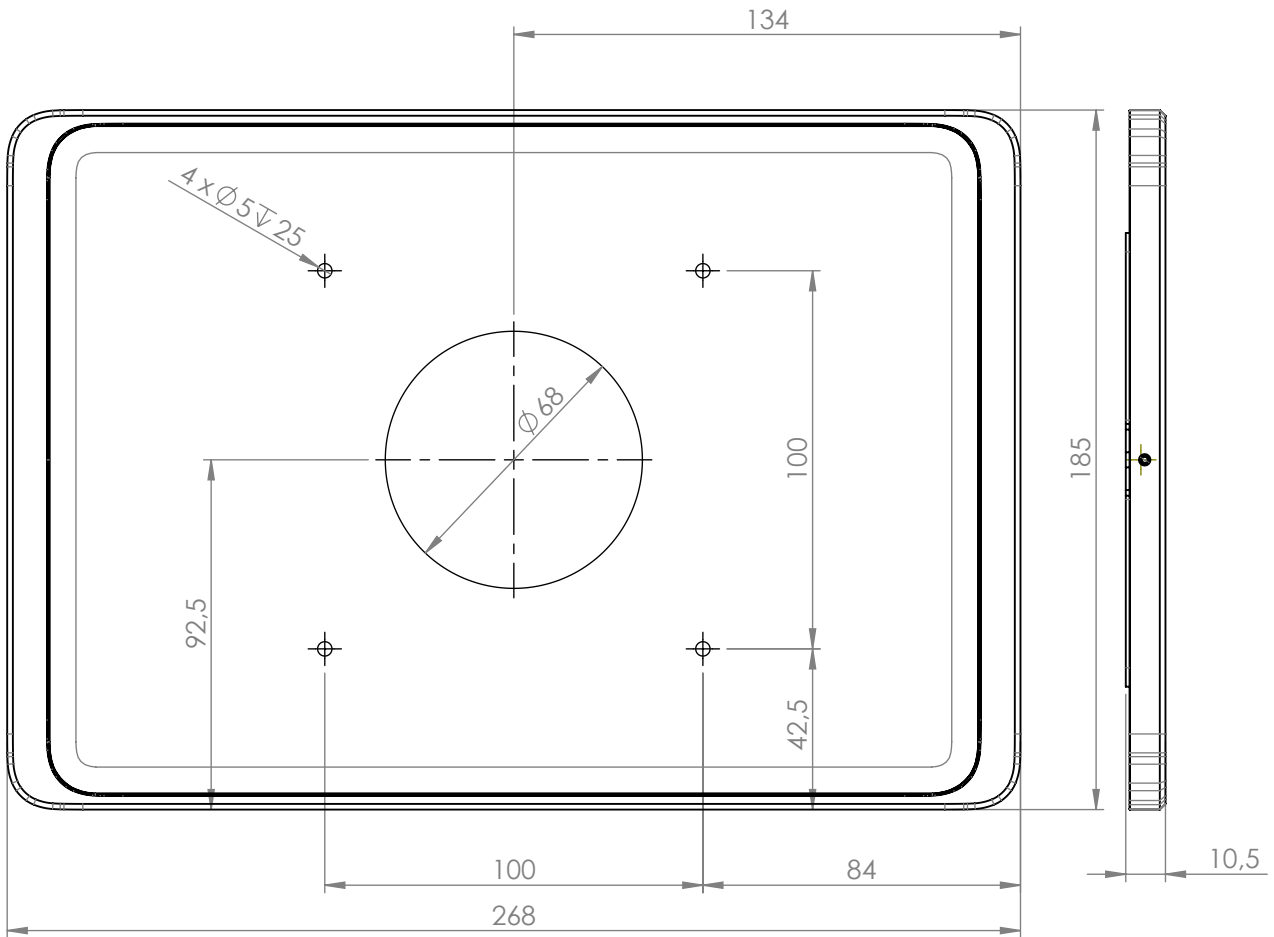


silver anodized

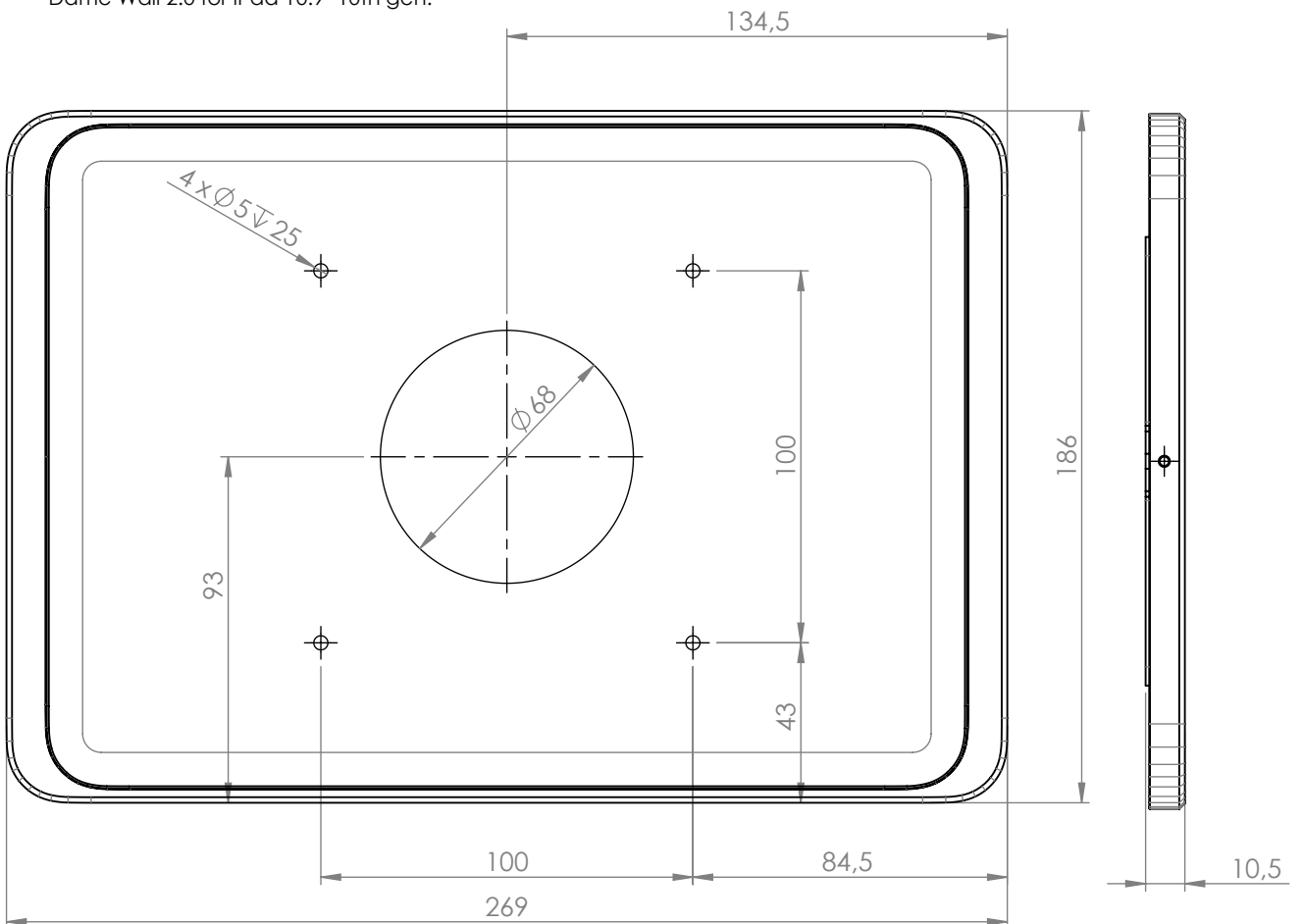


white powder
coated - RAL 9016

Dame Wall 2.0 for iPad Air 10.9" / Pro 11"



Dame Wall 2.0 for iPad 10.9" 10th gen.



DSP number	EAN	Product	Compatible devices	Weight in kg
DSP-2-11-1009-00	4260600745978	Dame Wall 2.0 for iPad 10.9" 10th Gen. White Powder Coated USB-A	iPad 10.9" (10th gen.)	0.298
DSP-2-11-1009-11	4260600745985	Dame Wall 2.0 for iPad 10.9" 10th Gen. Silver Anodized USB-A	iPad 10.9" (10th gen.)	0.298
DSP-2-11-1009-12	4260600745992	Dame Wall 2.0 for iPad 10.9" 10th Gen. Black Anodized USB-A	iPad 10.9" (10th gen.)	0.298
DSP-2-11-1009-00-C	4260600745381	Dame Wall 2.0 for iPad 10.9" 10th Gen. White Powder Coated USB-C	iPad 10.9" (10th gen.)	0.298
DSP-2-11-1009-11-C	4260600745398	Dame Wall 2.0 for iPad 10.9" 10th Gen. Silver Anodized USB-C	iPad 10.9" (10th gen.)	0.298
DSP-2-11-1009-12-C	4260600745404	Dame Wall 2.0 for iPad 10.9" 10th Gen. Black Anodized USB-C	iPad 10.9" (10th gen.)	0.298
DSP-2-11-1100-00	4260600746005	Dame Wall 2.0 for iPad Air 4 and Air 5 10.9 / Pro 11" White Powder Coated USB-A	iPad Air 4 10.9" iPad Air 5 10.9" iPad Pro 11" (1st gen.) iPad Pro 11" (2nd gen.) iPad Pro 11" (3rd gen.) iPad Pro 11" (4th gen.)	0.298
DSP-2-11-1100-11	4260600746012	Dame Wall 2.0 for iPad Air 4 and Air 5 10.9 / Pro 11" Silver Anodized USB-A	iPad Air 4 10.9" iPad Air 5 10.9" iPad Pro 11" (1st gen.) iPad Pro 11" (2nd gen.) iPad Pro 11" (3rd gen.) iPad Pro 11" (4th gen.)	0.298
DSP-2-11-1100-12	4260600746029	Dame Wall 2.0 for iPad Air 4 and Air 5 10.9 / Pro 11" Black Anodized USB-A	iPad Air 4 10.9" iPad Air 5 10.9" iPad Pro 11" (1st gen.) iPad Pro 11" (2nd gen.) iPad Pro 11" (3rd gen.) iPad Pro 11" (4th gen.)	0.298
DSP-2-11-1100-00-C	4260600745411	Dame Wall 2.0 for iPad Air 4 and Air 5 10.9 / Pro 11" White Powder Coated USB-C	iPad Air 4 10.9" iPad Air 5 10.9" iPad Pro 11" (1st gen.) iPad Pro 11" (2nd gen.) iPad Pro 11" (3rd gen.) iPad Pro 11" (4th gen.)	0.298
DSP-2-11-1100-11-C	4260600745428	Dame Wall 2.0 for iPad Air 4 and Air 5 10.9 / Pro 11" Silver Anodized USB-C	iPad Air 4 10.9" iPad Air 5 10.9" iPad Pro 11" (1st gen.) iPad Pro 11" (2nd gen.) iPad Pro 11" (3rd gen.) iPad Pro 11" (4th gen.)	0.298
DSP-2-11-1100-12-C	4260600745435	Dame Wall 2.0 for iPad Air 4 and Air 5 10.9 / Pro 11" Black Anodized USB-C	iPad Air 4 10.9" iPad Air 5 10.9" iPad Pro 11" (1st gen.) iPad Pro 11" (2nd gen.) iPad Pro 11" (3rd gen.) iPad Pro 11" (4th gen.)	0.298
DSP-99-RU2	4260600745442	Rotation Unit 2.0	All Companion Wall 2.0 and Dame Wall 2.0 for ipad 10,9 / 11,0 wall mounts	0.6
DSP-99-USB	4260600743059	USB electric concealed socket 12 W 2.4 A	All Displine tablet wall mounts	0.17
DSP-91-USB	4260258610246	S24L USB electric concealed socket 12 W 2.4 A + Lightning to USB-A cable	for all iPads with Lightning	0.2
DSP-92-USB	4260258612028	S24C USB electric concealed socket 12 W 2.4 A + USB-C to USB-A cable	for all tablets with USB-C	0.2
DSP-95-CL	4260258610284	S28L PoE Adapter incl. Lightnig Cable	check compatibility at: smart-things.de	0.2
DSP-96-CUSBC	4260258612288	S28C PoE Adapter incl. USB-C Cable	check compatibility at: smart-things.de	0.2
Displine GmbH Mainzer Straße 97 65189 Wiesbaden			Contact Piotr Stanczyk tel.: +49 151 27 23 71 52 e-mail: info@displine.com	