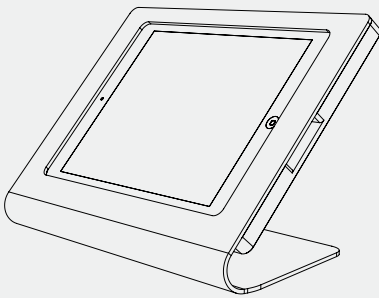


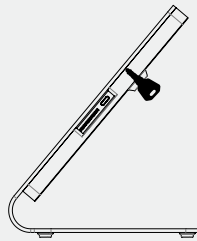


**Companion** is a subtle tablet stand. It is made from high-grade precisely machined aluminium, with powder coated surface finishing.

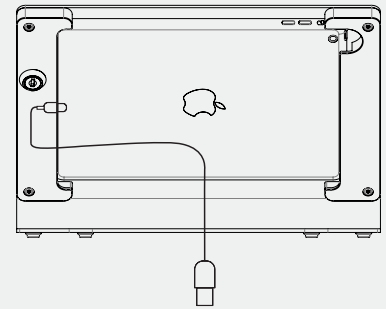
### Product characteristics



comfortable display angle



tablet secured with a cylinder lock



lightning cable hidden in the casing

### Compatible devices and specifications

compatible devices	Samsung Galaxy Tab A 10.1" T510	iPad 10.2" (7th gen.), iPad 10.2" (8th gen.), iPad Pro 10.5" (2nd gen.), iPad Pro 10.5" (3rd gen.)	iPad Pro 12.9" (3 <sup>rd</sup> gen.) iPad Pro 12.9" (4 <sup>th</sup> gen.)
screen size	10.1"	10.2" / 10.5"	12.9"
material	precisely machined aluminium, powder coated		
high/width/length	138/276,5/170	193/307/146	223/336/171
weight	0,8 kg	1,0 kg	1,1 kg

### Colours

standard



white powder coated - RAL 9016



black powder coated - RAL 9005